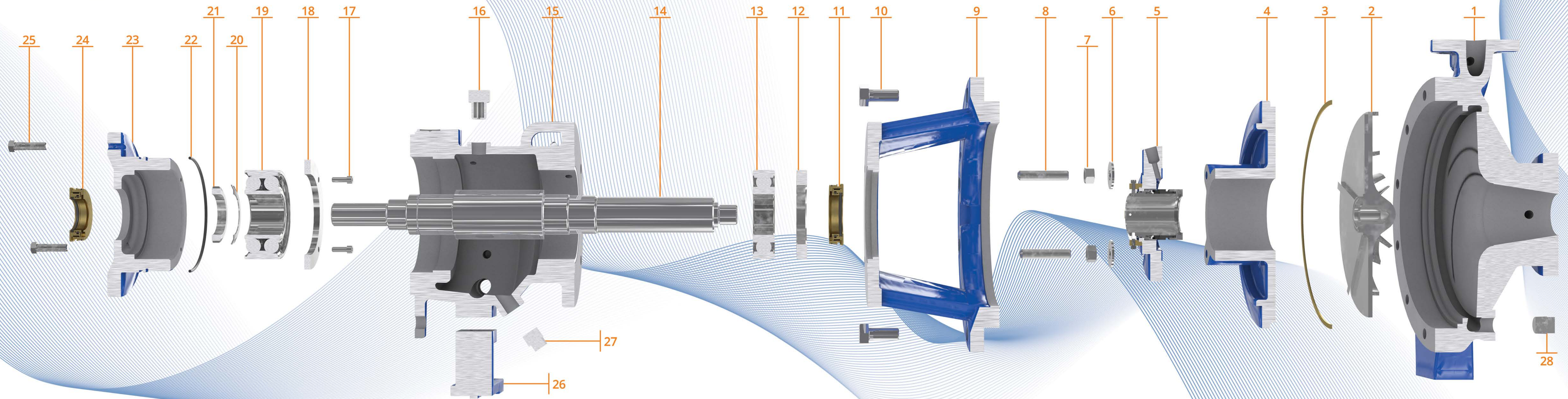


CPO Single Stage, End Suction, ANSI B73.1 Process Pump



Sizes

S



M, XL



No.	Description
1	Case
2	Impeller
3	Case Gasket
4	Case Cover
5	Cartridge Mechanical Seal
6	Washer (Seal)
7	Hex Nut (Seal)
8	Stud (Seal)
9	Adapter
10	Hex Bolt (Adapter)
11	Inboard Labyrinth Seal
12	Aligner
13	Inboard Bearing
14	Shaft

No.	Description
15	Bearing Housing
16	Plug
17	Socket Bolt (Carrier)
18	Retainer Ring
19	Outboard Bearing
20	Bearing Washer
21	Bearing Nut
22	O-ring (Carrier)
23	Bearing Carrier
24	Outboard Labyrinth Seal
25	Hex Bolt (Carrier)
26	Bearing Frame Foot
27	Oil Plug
28	Drain Plug

CPO Sectional View

