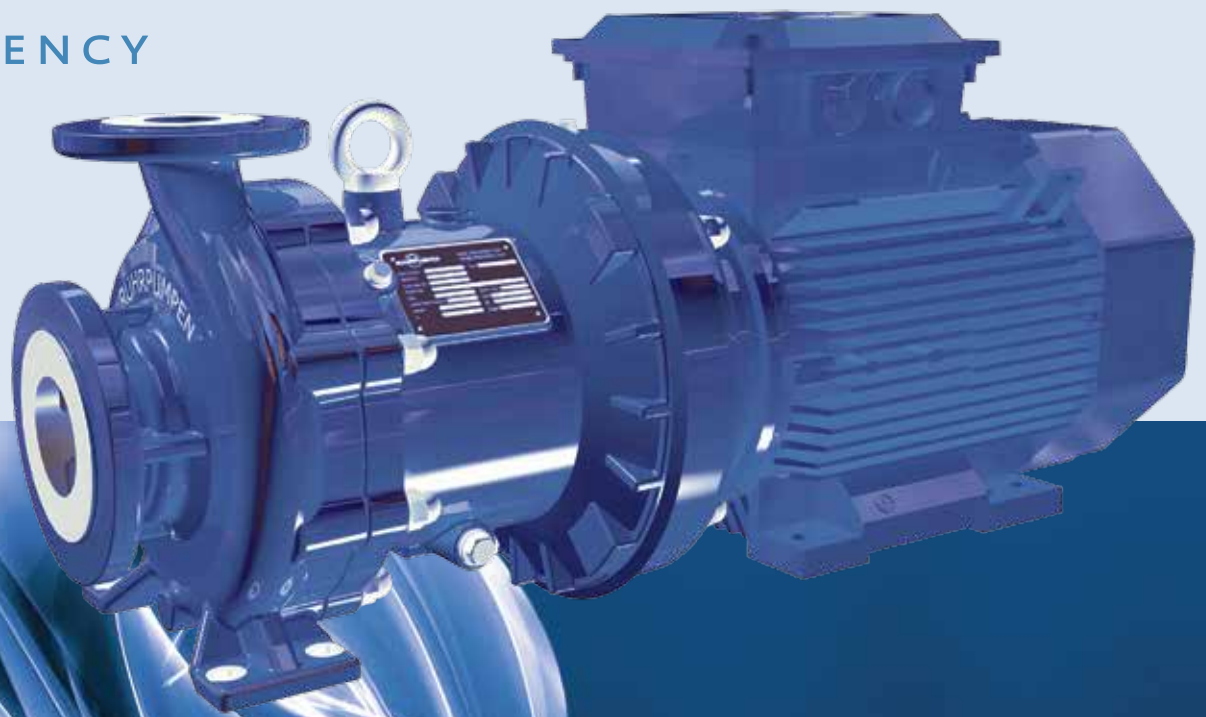




Specialist for Pumping Technology

INNOVATION
EFFICIENCY
QUALITY



CRP-M CC

Centrifugal Pump with Permanent Magnetic Drive Closed Coupled
according to DIN EN 2858 and DIN EN ISO 15783

For more than 60 years the name Ruhrpumpen™ has been synonymous worldwide with innovation and reliability for pumping technology

Ruhrpumpen is an innovative and efficient centrifugal pump technology company that offers operators of Pump Systems and a wide range of quality products. Ruhrpumpen is committed to global excellence with a complete range of Pumps, Fire Pump Packages and related products, such as Decoking Systems and Tools to support the core markets, namely Oil & Gas, Petrochemical, Power, Heavy Industry Applications, Mining and Water Services.

The broad product line complies with the most demanding quality specifications and goes beyond stringent industry standards such as API, ANSI, Hydraulic Institute, Underwriter's Laboratories, Factory Mutual and ISO 9001.

Ruhrpumpen is a vertically integrated company with its own foundry, machine shop, pump manufacturing plants and service centers. With strategically located manufacturing plants, operating offices and service centers in many parts of the world, Ruhrpumpen is truly a global pump company which also has the strength to focus on the local necessities of each client.

CRP-M CC

The CRP-M Productline has been expanded by another type of pump. The CRP-M CC is based on the CRP-M pump except that the bearing support is not required. The driver is connected by an adapter flange to the intermediate lantern. The driver shaft is directly connected to the outer magnet carrier so that the torque of the driver is transmitted to the magnetic coupling. The main advantages of this design are the following:

- lower production and maintenance costs
- a more compact design of the pump assembly
- no maintenance of the roller bearings
- less friction and thus less power losses
- align of the pump deleted

The hydraulic of this new pump type CRP-M CC is identical to the CRP-M range and is completely new calculated and designed, therefore high efficiencies and low NPSHr values can be achieved. The CRP-M CC pump range is equipped with a permanent magnetic drive in accordance with DIN EN 2858 and DIN EN ISO 15783 and strikes new paths especially for the design of the Journal Bearings, Internal Flows and Pressures, Magnetic Drive System and Axial Thrust Balancing.

As a 100% leakage free pump the CRP-M CC avoids high maintenance costs and usage of mechanical seals. It is also the best option for taking care of the environment and meets the requirements of the TA-Luft specification (German Technical Instruction on Air Quality Control).

The CRP-M CC pump is built with the latest engineering techniques and tools such as 3D Modeling, Finite-Element Analysis and CFD-Simulation – Computational Fluid Dynamics - to assure our customers the best product quality.



CRP-M CC

Standard Material

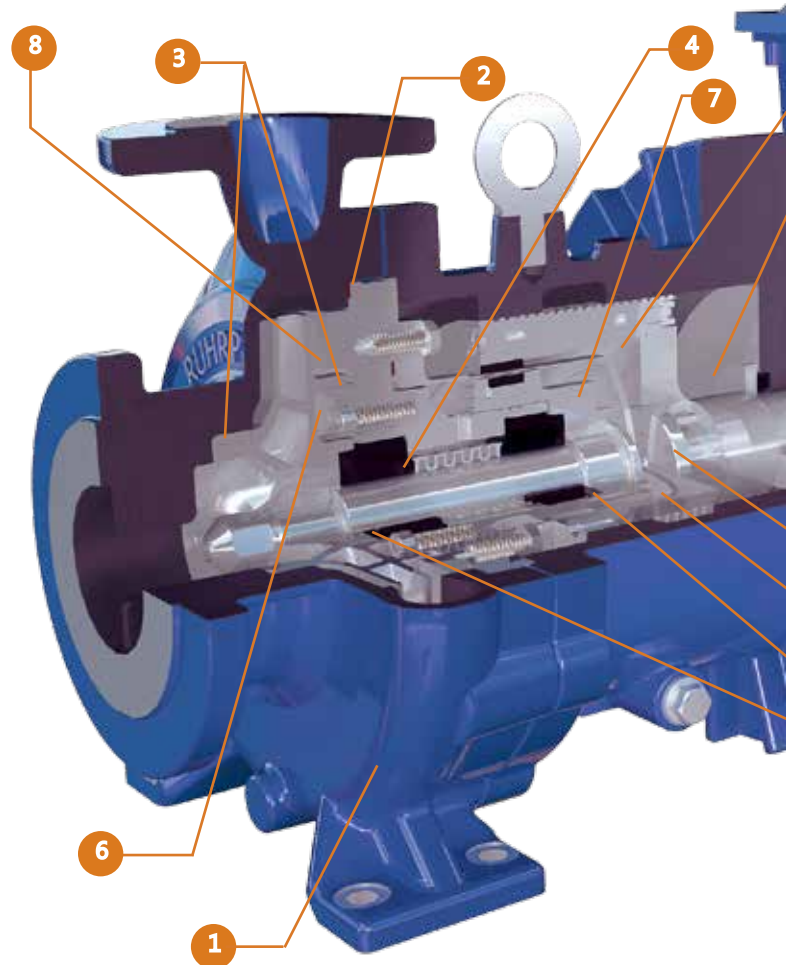
INDIVIDUAL PARTS	MATERIAL	MATERIAL
Volute Casing	1.0619 (Carbon Steel)	1.4408 (316 AUS)
Impeller	1.4408 (316 AUS)	1.4408 (316 AUS)
Containment Shell	2.4610 (Hastelloy C)	2.4610 (Hastelloy C)
Inner Magnet Rotor	1.4571 (316 AUS)	1.4571 (316 AUS)
Pump Shaft	1.7225 (AISI 4140)	1.4571 (316 AUS)
Drive Shaft	1.7225 (AISI 4140)	1.7225 (AISI 4140)
Intermediate Lantern	1.0619 (Carbon Steel)	1.0619 (Carbon Steel)
Motor Latern	1.0619 (Carbon Steel)	1.0619 (Carbon Steel)

Other material combinations like 2.4686, 2.4685, 2.4660 and 3.7035 are also available.
Other materials on demand.



Characteristics

- 1 Volute Casing Pump.**
Designed for 16 bar at 120°C, foot mounted.
- 2 Casing Gasket.**
Only two static gaskets on casing and containment shell. The gaskets are certified to TA-Luft specification.
- 3 Renewable Wear Rings.**
Full complement of renewable casing and casing cover wear rings are standard.
- 4 Journal Bearings. (Patent Pending)**
Spherical design for universal, multiple applications. Axial and radial bearings made of "pure" Sintered Silicon Carbide (SSiC) in standard design.
- 5 Axial Thrust Bearings.**
Due to hydraulic measures the axial thrust will be controlled over the complete operating range.
- 6 Internal Flushing System. (Patent Pending)**
By careful design of internal flush flow passages, bearings and magnetic drive receive optimal lubrication across the pump curve up to 1.5 x Qopt.
- 7 Inner Magnet Rotor.**
With an additional rub ring area on the bearing bush housing.
- 8 Internal Filter System.**
The self cleaning internal filter is located on the casing cover and prevents unacceptable solid particles from entering through the internal flow system into the magnetic drive and journal bearings. The internal filter is positioned at the highest internal pressure. A control of the operation is possible via a pressure control.
- 9 Ceramic Insulation and Heating Barrier.**
To avoid a heat transfer from the end of the containment shell to the front side of the drive shaft and also to the end of the outer magnet rotor, the bottom of the containment shell is insulated with a high temperature-resistant ceramic (1200°C=2192°F). Also with an additional thermal barrier (option), cast to the bearing bracket, the temperature rise is dissipated over the bearing bracket flange in the cooling fins. This thermal barrier prevents excessive heat transfer to the anti-friction bearings, thereby extending bearing life.



- 10 Intermediate Housing.**
With a non-sparking rub ring and a non-sparking ring as fit-up aid for assembly/disassembly.
- 11 Motor Lantern.**
The lantern connects the driver with frame type IM B35 with the intermediate lantern and enables a short design.

PRODUCT DESCRIPTION

Centrifugal Pump with Permanent Magnetic Drive, designed to meet full DIN EN 2858 and DIN EN ISO 15783 pump standards. Horizontal single stage, foot mounted casing, back-pull-out, radially split, end suction, top discharge, single suction.

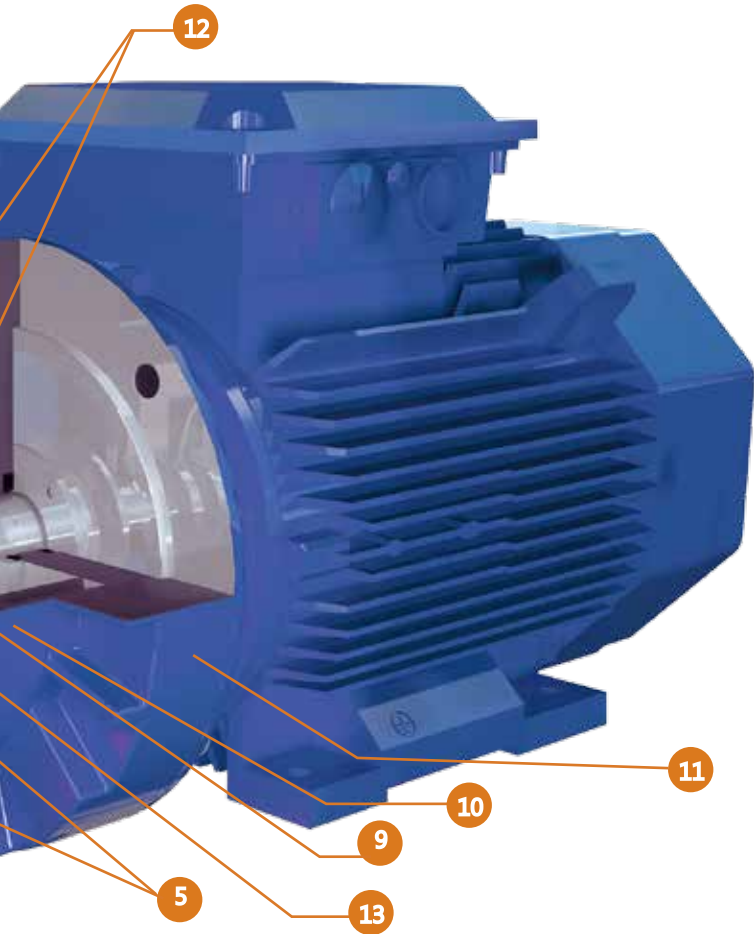
QUALITY ASSURANCE

All Ruhrpumpen facilities are certified according to ISO 9001.

CRP-M CC PERFORMANCE DATA

Capacity	to 140 m ³ /h	620 gpm
Head	to 146 m	480 ft
Pressure	to 16 bar at 120° C	232 psi at 248° F
Temperature	-60° C to 250° C	-76° F to 482° F

Note: For pump operations outside this range, please contact a Ruhrpumpen Representative.



12 Vibration/Temperature.

Bearing bracket and intermediate lantern are provided with pre-determined permanent locations to inspect vibration and oil/bearing temperature.

13 Containment Shell.

The containment shell separates 100% leakage-free the product chamber from the atmosphere and creates a static sealing between the inner and outer magnet rotor. The containment shell is designed in standard for 16 bar at 250°C. The containment shell is self-venting and fully drainable.

PUMPING OF

- Acids
- Bases
- Hot transfer oils
- Liquid gases
- Hydrocarbons
- Aggressive, explosive and toxic liquids

MARKETS

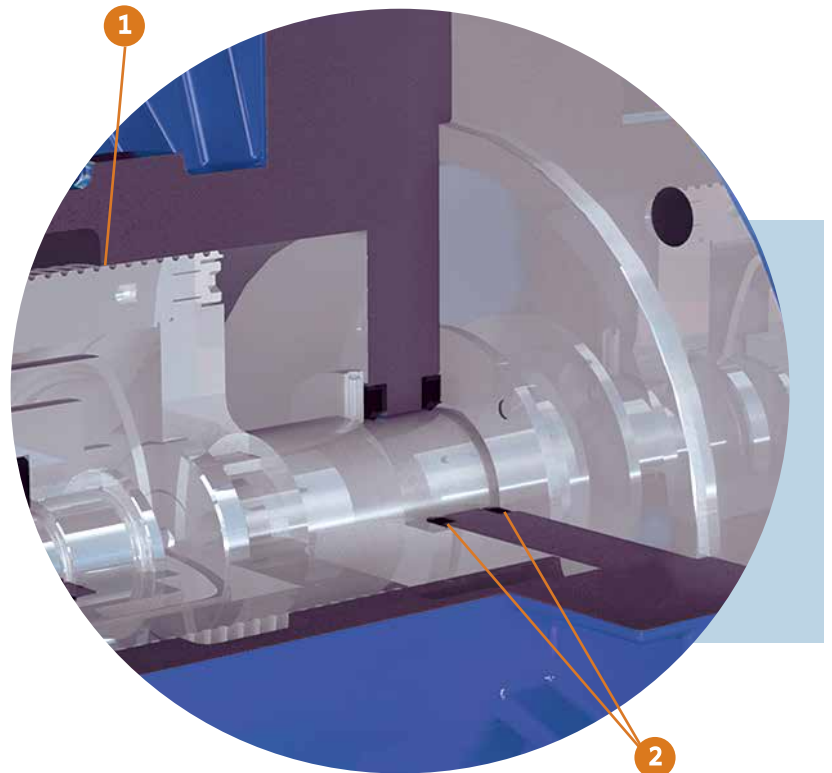
- Chemical and Petrochemical Industry
- Tank farms
- Liquid Gas Industry
- Refrigeration- and Heat Technology
- Power Plant Technology
- Galvano Technique

Special Configurations & Optional Features

The developed CRP-M CC can be just like the CRP-M series. Please refer to this information, such as the design of the pump with a ceramic containment shell made by zirconium oxide or the use of a full flow filter in the CRP-M brochure.

SECONDARY CONTROL SYSTEM.

The CRP-M pump in the standard design is equipped with a single containment shell, rated for the Maximum Allowable Working Pressure (MAWP). The intermediate housing, as a secondary pressure casing, is rated for the same pressure as the pressure casing and is equipped with a labyrinth system to the atmosphere. When a secondary control is required, additionally to the **1** Labyrinth system, designed as a throttle, a spiral on the outer magnet rotor, rotating in the opposite direction restricts the escaped liquid in the intermediate housing in case of a containment shell failure. The presence of liquid or the increased pressure can be detected by a monitoring system. The liquid can be drained, controlled through the draining pipe. Even at standstill of the pump, it is ensured that the pump is safe and free of leakage. Two additional **2** Lip seals are mounted on the motor shaft and they avoid escape of the medium.

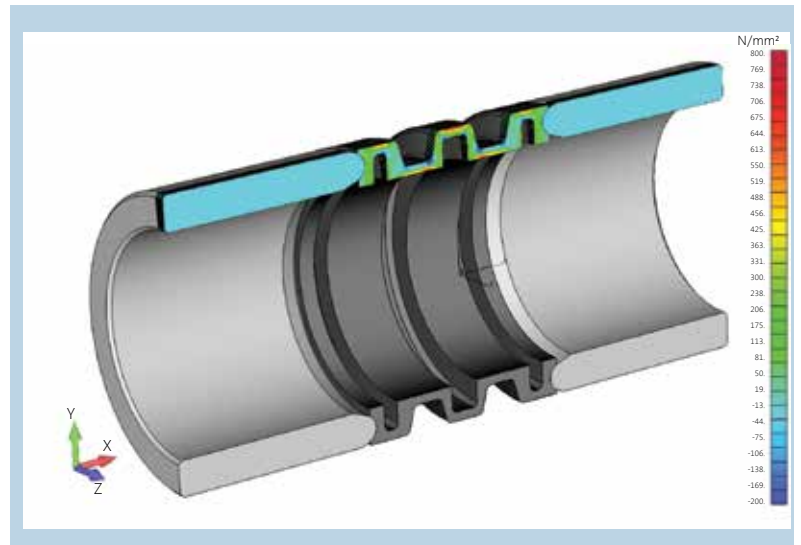


SPECIAL TECHNIQUE AND DESIGN FEATURES

JOURNAL BEARING DESIGN.

The patent pending axial and double radial journal bearing made of “pure” Sintered Silicon Carbide (SSiC) in standard design is designed with the following features:

- Spherical locking sleeve for axial and radial centering.
- Bearing sleeves with a sphere for axial and radial centering.
- Radial centering of the bearing sleeves in the axial thrust bearings in the same material (SSiC/SSiC) results in the same expansion factor over the complete temperature application range.
- Bearing bushings with double interference fit assembly to avoid axial torsion and radial displacement.
- No edge loads induced by radial loads at the surface of the bearing sleeves and the bearing bushing.

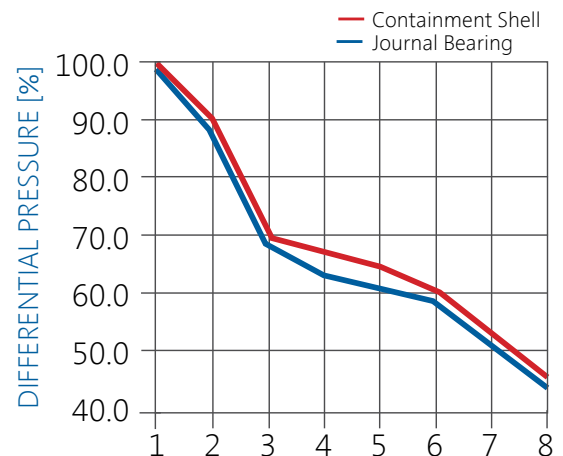


The geometry of the locking sleeve has been calculated with the help of the finite element method (FEM). The exercise was to guarantee the power transmission by the initial load between the rotating parts with different thermal characteristics of the materials (different expansion coefficient between SSiC and stainless steel 1:4), at temperatures up to 350°C (662°F).

Due to the geometry the pre-loaded locking sleeve compensates the differences of the linear expansion caused by the material and thermal between “pure” Sintered Silicon Carbide (SSiC) and the pump shaft made of stainless steel in axial and radial direction. The centering of the rotating bearing parts is always guaranteed.

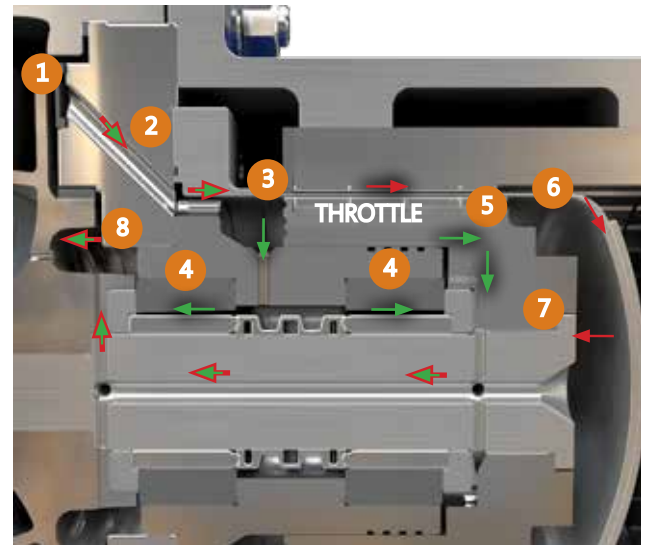
INTERNAL FLOWS AND PRESSURES.

A reliable and well-defined pressurization within the flushing system for the magnetic drive and the journal bearings is extremely important for the operation and integrity of the pump. The pressure for both the magnetic drive and internal bearing flush flows is taken from the point of highest pressure location (2) and is fed directly into the magnetic drive and the journal bearings.



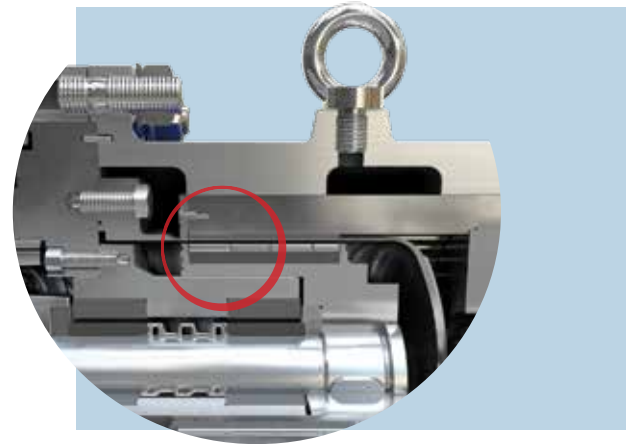
INTERNAL FLOWS AND PRESSURES.

The well-defined pressurized internal flush flow into the journal bearings (3) guarantees the necessary heat dissipation and the lubrication within these bearings (4). It is of high importance, that the internal flush flow (5) is fed via a drilling system from a high-pressure point to a low-pressure point (7) into the drilled shaft. The internal flush flow in the front bearing bush is returned by the axial thrust bearing into the pressure chamber (8) behind the impeller. The well-defined pressurized internal flush flow, which is fed into the area of magnetic drive, guarantees the necessary heat dissipation of the magnetic losses. Both these internal flush flows join in the drilled shaft (7) and are also fed by the drilling system into the pressure chamber (8) behind the impeller. This guarantees that this optimized flushing system prevents the vaporization of the product in the pump. The internal flush flow will be fed by the impeller balancing holes from a location of higher pressure into the blades of the impeller.



MAGNETIC DRIVE SYSTEM.

The magnet drive system transmits the torque without slip by a permanent magnetic field. The magnets made of thermally stable samarium cobalt material (Sm2Co17) are suitable in standard for a maximum allowable operating temperature of 250°C (300°C). Special magnetic drive systems based also on Sm2Co17 material are suitable for an operating temperature up to 450°C . The central assembly of the magnetic drive system over the journal bearing avoids moment loadings on the journal bearing, thus avoiding eccentric loading of the inner magnet rotor during start-up and shut-down.



AXIAL THRUST BALANCE.

By optimizing the annular areas within the internal flush system the axial thrust will be minimized over the complete operating range up to $Q_{opt.} \times 1.5$. The residual thrust stabilizes the pump rotor axially and is absorbed by the axial thrust bearings. These measures ensure, that products close to the vapor pressure can be handled without limitation, without the risk of vaporization at the axial thrust bearings.

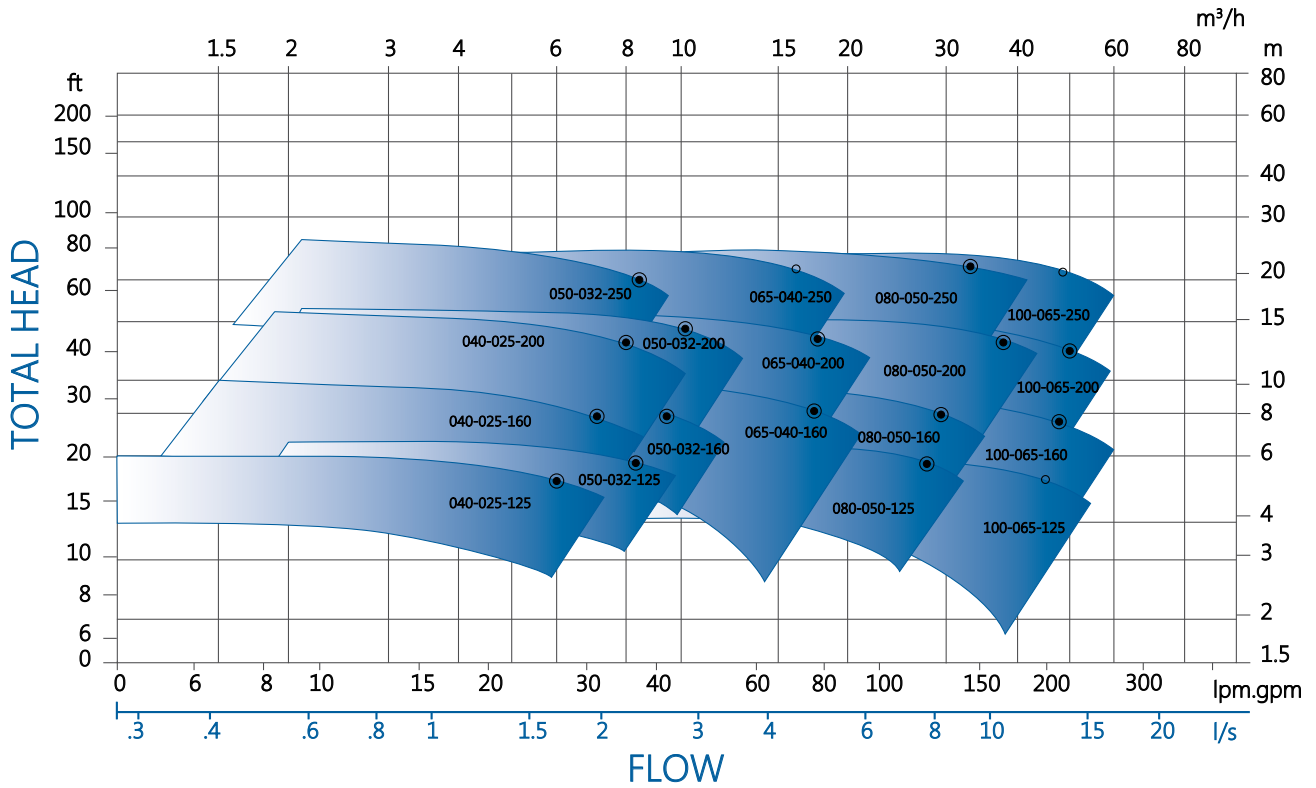
Performance Range

Selection Chart CRP-M CC

1450 RPM

4 POLES

- 50 Hz

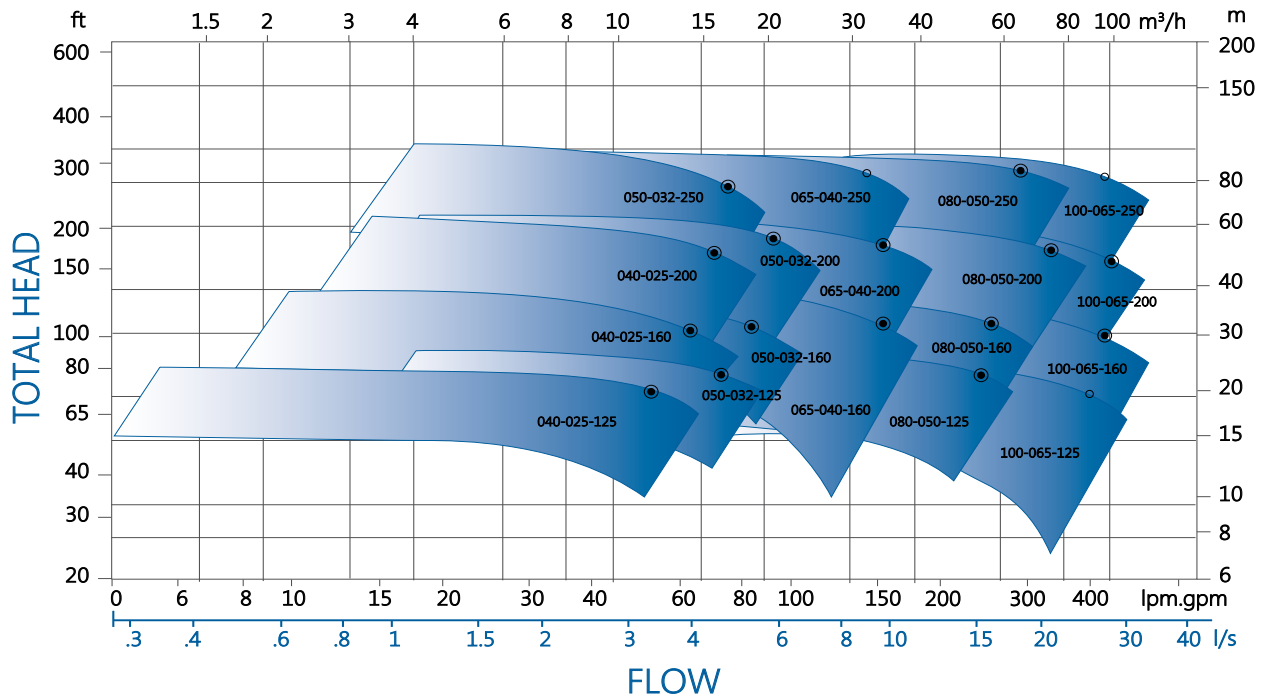


Selection Chart CRP-M CC

2900 RPM

2 POLES

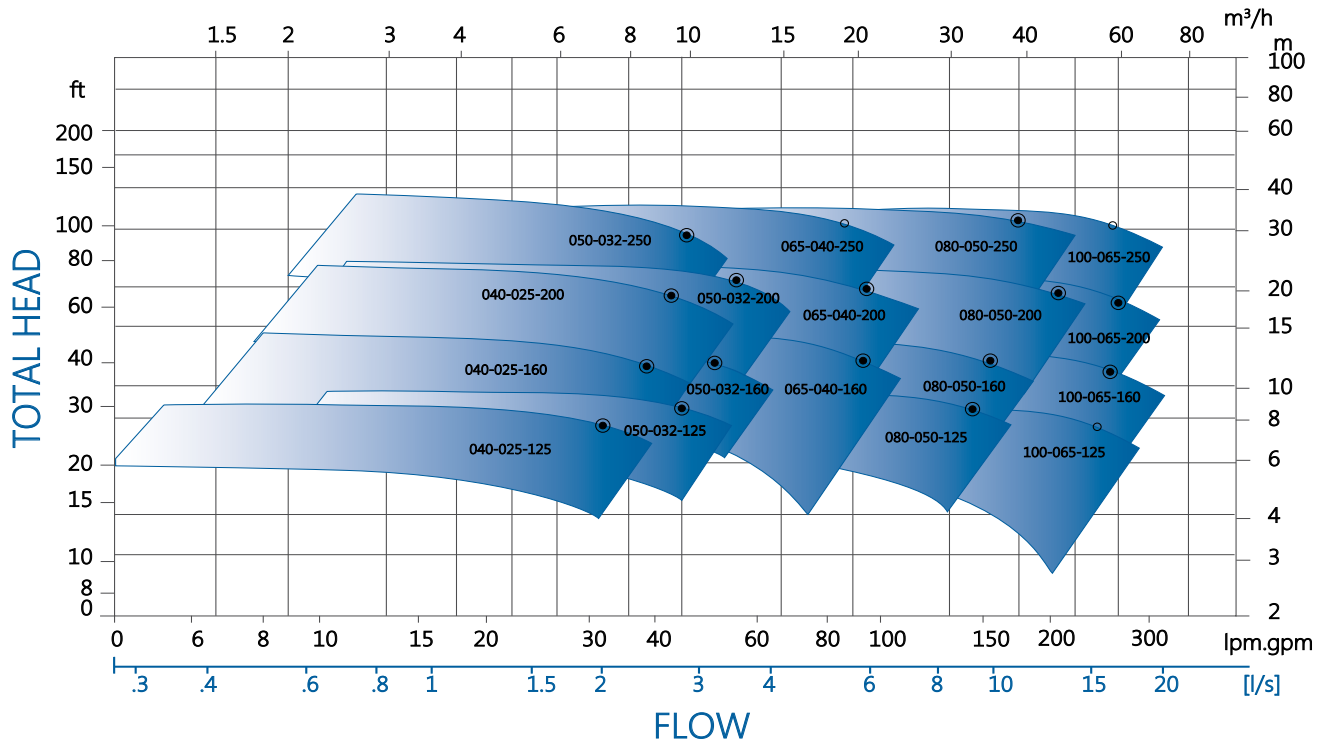
- 50 Hz





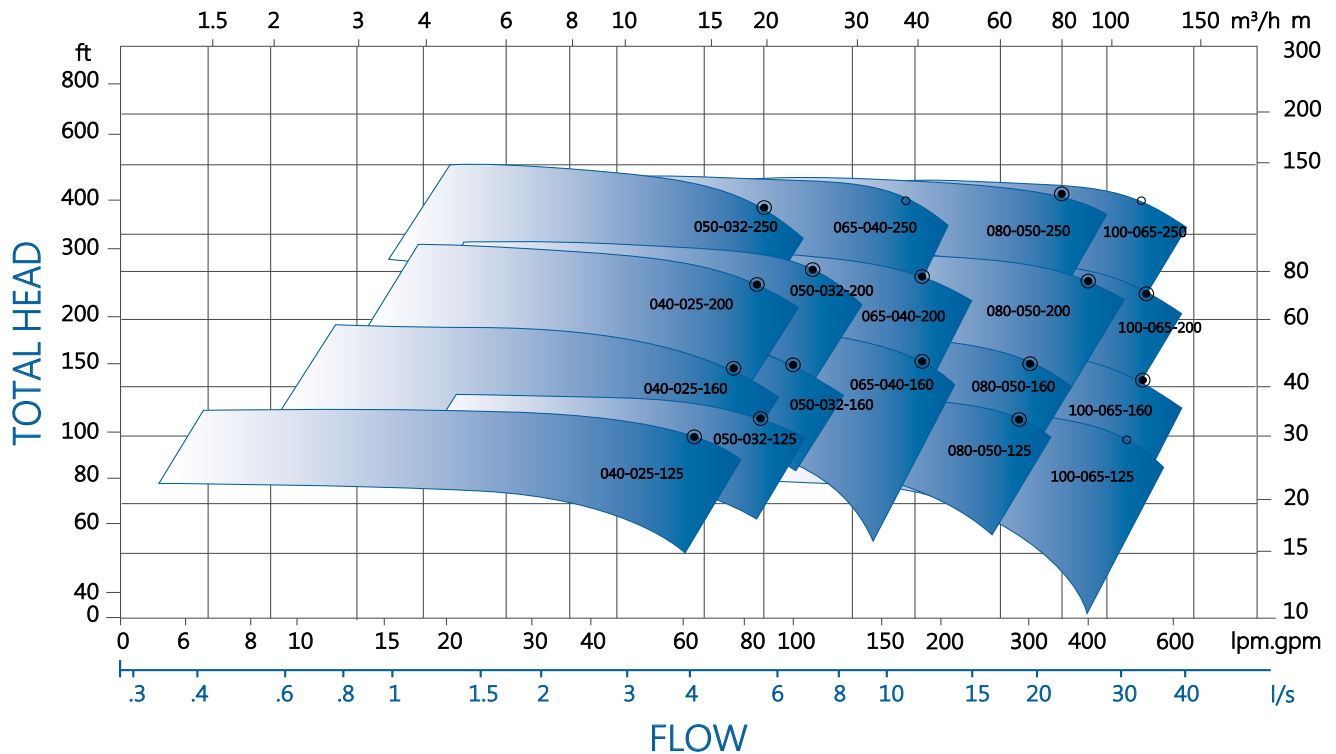
Selection Chart CRP-M CC

1750 RPM
4 POLES
— 60 Hz



Selection Chart CRP-M CC

3500 RPM
2 POLES
— 60 Hz



Other Ruhrpumpen's Products

Horizontal Process Pumps Single Stage with Permanent Magnetic Drive



SCE M-It is a permanent magnetic drive, single stage, overhung, built in accordance with the latest edition of API 685.

Petroleum Refining, Petrochemical, Refineries, Heavy-Duty Chemical, Gas Industry Services, Power Plants and Utilities.

Horizontally Split Multi Stage Diffuser Casing



JTN- Heavy-duty centrifugal pumps for universal applications. Refineries, Oil Fields, Petrochemical Plants, Chemical Plants, Pipeline, Power Plants, Boiler Circulation and Desalination.

Multistage Barrel Back-to-Back



AB-Heavy-duty, high pressure, multi-stage centrifugal process pumps for arduous conditions reviling in process-technological applications.

Fire Service, Air Conditioning Systems, Condensed Water, Ice Water, Service Water, Ocean Water, Building Water Supply Systems.

Vertical Barrel Pump



VLT - Low NPSH "Shockless Entry" first stage impeller (single- or double-suction), single- or multi-stage. Standard construction materials according to API latest edition (type VS6). Condensate, Power plants, Municipal, Hydrocarbons, Pipeline and Refineries.



With every project you can count on **QUALITY, SERVICE, EXPERTISE, INNOVATION** and **COMPETITIVENESS**.
Because we have a commitment with each customer, the community and the world.
We are Ruhrpumpen the specialist for pumping technology!



RUHRPUMPEN PLANTS

-  USA, Tulsa & Orland
-  MEXICO, Monterrey
-  BRAZIL, Rio De Janeiro
-  ARGENTINA, Buenos Aires
-  GERMANY, Witten
-  EGYPT, Suez
-  INDIA, Chennai
-  CHINA, Changzhou

More Information:

